

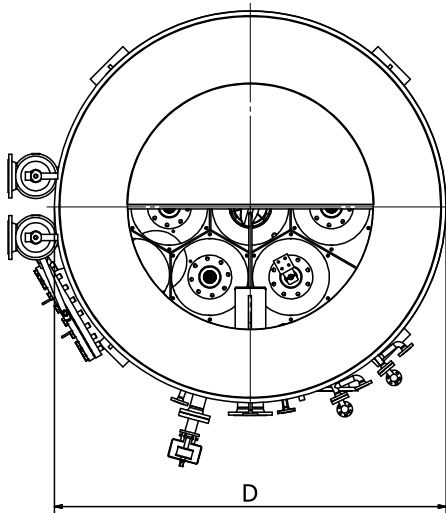
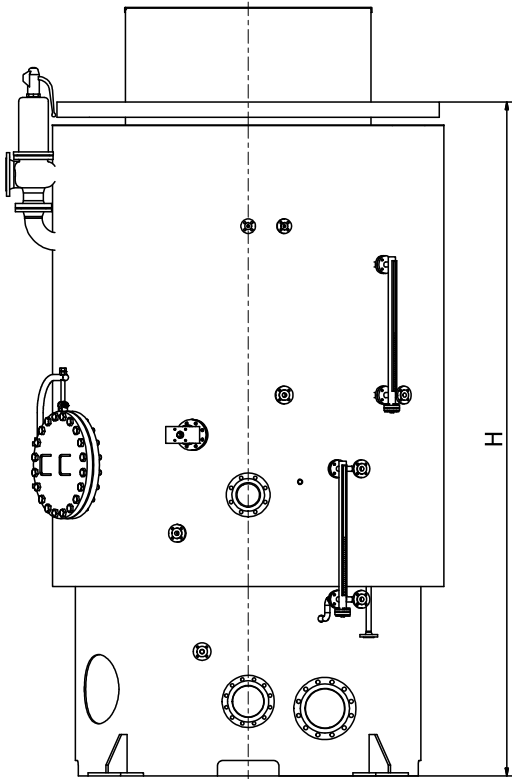
PARAT IEH

# High Voltage Electrode Boiler



# PARAT IEH: High Voltage Electrode Boiler

## Technical data



- Compact design
- Capacity up to 50 MW,  
75 tons steam/hour
- Steam or hot water up to 25 bar g

PARAT high voltage electrode boiler can be delivered both for steam and hot water with a capacity up to 50 MW/ 75 tons steam/hour

In spite of the high energy output the boiler is very compact and can be started from cold boiler to full load in few minutes. This makes the boiler very suitable as backup boiler in hospitals and district heating grids.

For hot water application the boiler is delivered complete with heat exchanger for the primary system. Our electrode system is a result of a successful cooperation with NTNU in Trondheim. With our electrode design we have experience no wear on the electrodes and thus low maintenance cost.

The electrodes are insulated from the boiler shell and the boiler can be easily placed in a standard boiler house.

The electrical control panel includes a complete safety and control system. This system is based on Siemens SIMATIC S7 system with a touch panel for local operation. Communication with the ships main control system is possible as well, from analog and digital signals to bussystems as PROFIBUS and MODBUS. The safety system is independent the PLC system.